

Fan Coil Unit

(Ceiling Floor Type)



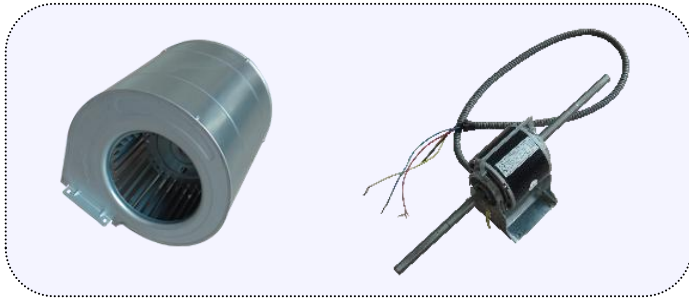
Ceiling-Exposed/Floor-Standing Fan Coil Unit

Air Flow

The unit can supply air vertically in a 70-degree range and horizontally in a 100-degree range. It can generate a strong air current at a height of 4 meters to meet requirements of various usage scenarios.

Low Noise

The unit features a forward-pitched low-speed centrifugal fan with wide impellers. The fan has a good dynamic balance and a stable performance, and minimizes the operation sound while ensuring enough air flow and the static pressure of outlet air by using efficient sound-dampening and heat-insulation material.



Efficient and Energy Saving

To maximize heat transfer and exchange efficiency, the unit features heat exchange coils made of quality copper tubes, efficient hyperbolic aluminum shutter fins, precise mechanic tube expansion



Easy Operation

- *With a very thickness body can be installed in a limit ceiling
- *Easy to be installed, no need air duct, save installation cost
- *Humanized remote controller and wire controller (optional)

Flexible Installation

The unit can be easily installed in the ceiling or on the floor to match with decoration styles



Ceiling-Exposed/Floor-Standing Fan Coil Unit

Nomenclature

	<u>ES</u>	<u>T</u>	<u>200</u>	<u>CF2</u>	<u>T</u>	<u>R</u>	<u>A</u>	<u>O</u>
	1	2	3	4	5	6	7	8
1	ES							
2	T	Terminal series						
3	200	Rated Air Flow:CFM						
4	CF2	Ceiling exposed floor mounted and the number of pipe system						
5	T	Coil Type T:2COH (Note: C-Cold Water Coil; H-Hot Water Coil)						
6	R	Connecting Pipe Direction R: Right (Face to air outlet) L: Left (Face to air outlet)						
7	A	Power Supply A:220V-50HZ K:208~230V-60HZ N:115V-60HZ W:265~277V-60HZ						
8	O	Sales Region C: Mainland China O: Other Regions						

Ceiling Exposed/Floor Mounted Fan Coil Unit (2 pipe system)

Model		EST~		300CF2	400CF2	500CF2	600CF2	800CF2	1000CF2	1200CF2	1400CF2
Air flow (m ³ /h)	High			510	680	850	1020	1360	1700	2040	2380
	Medium			420	560	770	910	1210	1450	1850	2150
	Low			340	480	610	820	1100	1380	1600	2000
Cooling capacity	TH	H	W	2700	3600	4500	5400	7200	9000	10800	12600
			BTU	9215	12287	15359	18430	24574	30717	36860	43004
	SH		W	1990	2730	3174	4261	5385	6746	8109	9062
			BTU	6792	9317	10833	14543	18379	23024	27676	30929
	TH	M	W	2485	3030	3752	4467	6499	7926	9389	10605
			BTU	8481	10341	12806	15246	22181	27051	32045	36195
	SH		W	1570	2015	2450	3070	4278	5447	6669	7262
			BTU	5358	6877	8362	10478	14601	18591	22761	24785
	TH	L	W	2078	2504	2950	3831	5660	7295	8619	8989
			BTU	7092	8546	10068	13075	19318	24898	29417	30679
	SH		W	1212	1545	1844	2397	3317	4460	5300	5555
			BTU	4137	5273	6294	8181	11321	15222	18089	18959
Heating capacity	H	W	4050	5400	6750	8100	10800	13500	16200	18900	
		BTU/h	13823	18430	23038	27645	36860	46076	55291	64506	
	M	W	2792	3970	4941	5740	7987	10557	13101	14011	
		BTU/h	9529	13550	16864	19591	27260	36031	44714	47820	
	L	W	1788	2800	3533	3907	5464	7048	8714	9778	
		BTU/h	6102	9556	12058	13335	18649	24055	29741	33372	
Power Input		H	W	52	62	76	96	134	152	189	228
Noise		H	dB(A)	39.00	41.00	43.00	45.00	46.00	48.00	50.00	51.00
Water Flow			m ³ /h	0.46	0.62	0.77	0.93	1.23	1.54	1.85	2.16
Water resistance			kPa	11.80	13.60	21.00	23.00	25.00	32.00	33.00	38.00
Heat Exchanger	Type		copper tubes with shutter-type hyperbolic aluminum fins								
	Working pressure		1.6MPa								
	Testing pressure		Airtightness test under pressurized water: 3.3MPa								
Motor	Type		Single-phase capacitive motor equips with fine ball bearing, low noise, long service life								
	Power supply		220V/1PH/50HZ								
	Protection grade		IP20								
	Insulation grade		B								
Pipe	Inlet/outlet water pipe		ZG 3/4 " internal thread								
	Condensation water pipe		∅ 26								
Dimensions(mm)			905*673*243			1288*673*243			1672*673*243		
N.W. Kg			31	31	31	41	41	46	46	46	

Remarks:

1. Cooling: Inlet air temperature DB 27°C, WB 19.5°C; Chilled water inlet/outlet temp. 7°C/12°C.
2. Heating: Inlet air temperature DB 21°C, heating water inlet temperature 60°C (tested by the same water flow with cooling condition).
3. The noise level is measured in: background noise 11.5dB(A) semi-anechoic room as per GB/T19232-2003.
4. Rated air flow is tested in standard air condition with DB 20°C.
5. H, M, L refer to high, medium and low fan speed respectively.
6. Static pressure refers to outlet static pressure.
7. All parameters are tested based on power supply 220V-/50HZ.
8. Specifications are subject to product improvement and change without notice.

Ceiling Exposed/Floor Mounted Fan Coil Unit (4 pipe system)

Model		EST~	300CF4	400CF4	500CF4	600CF4	800CF4	1000CF4	1200CF4	1400CF4	
Air flow (m ³ /h)	High		510	680	850	1020	1360	1700	2040	2380	
	Medium		420	560	770	910	1210	1450	1850	2150	
	Low		340	480	610	820	1100	1380	1600	2000	
Cooling capacity	TH	H	W	2025	2700	3375	4050	5400	6750	8100	9450
			BTU	6911	9215	11519	13823	18430	23038	27645	32253
	SH		W	1532	2102	2445	3281	4146	5194	6245	6978
			BTU	5229	7174	8345	11198	14150	17727	21314	23816
	TH	M	W	1864	2273	2814	3350	4874	5945	7042	7954
			BTU	6362	7758	9604	11434	16635	20290	24034	27147
	SH		W	1210	1552	1887	2365	3295	4195	5135	5592
			BTU	4130	5297	6440	8072	11246	14318	17526	19085
	TH	L	W	1559	1878	2213	2873	4245	5470	6465	6742
			BTU	5321	6410	7553	9806	14488	18669	22065	23010
	SH		W	933	1190	1420	1845	2555	3435	4081	4277
			BTU	3184	4061	4846	6297	8720	11724	13928	14597
Heating capacity	H	H	W	1620	2160	2701	3240	4320	5400	6480	7560
			BTU/h	5529	7372	9219	11058	14744	18430	22116	25802
	M	H	W	1115	1588	1976	2296	3195	4223	5240	5604
			BTU/h	3805	5420	6744	7836	10905	14413	17884	19126
	L	H	W	715	1120	1413	1563	2186	2819	3486	3911
			BTU/h	2440	3823	4823	5335	7461	9621	11898	13348
Power Input		H	W	52	62	76	96	134	152	189	228
Noise		H	dB (A)	39.00	41.00	43.00	45.00	46.00	48.00	50.00	51.00
Water Flow	Cooling Tube	H	m ³ /h	0.34	0.45	0.56	0.67	0.89	1.11	1.33	1.55
	Heating Tube			0.14	0.19	0.24	0.29	0.39	0.49	0.59	0.69
Water resistance	Cooling Tube	kPa	8.40	9.70	14.90	16.30	17.80	22.70	23.40	27.00	
	Heating Tube		3.50	4.10	6.30	6.90	7.50	9.60	9.90	11.40	
Heat Exchanger	Type		copper tubes with shutter-type hyperbolic aluminum fins								
	Working pressure		1.6MPa								
	Testing pressure		Airtightness test under pressurized water: 3.3MPa								
Motor	Type		Single-phase capacitive motor equips with fine ball bearing, low noise, long service life								
	Power supply		220V/1PH/50HZ								
	Protection grade		IP20								
	Insulation grade		B								
Pipe	Inlet/outlet water pipe		ZG 3/4 " internal thread								
	Condensation water pipe		∅ 26								
Dimensions(mm)			905*673*243			1288*673*243			1672*673*243		
N.W. Kg			32	32	32	42	42	47	47	47	

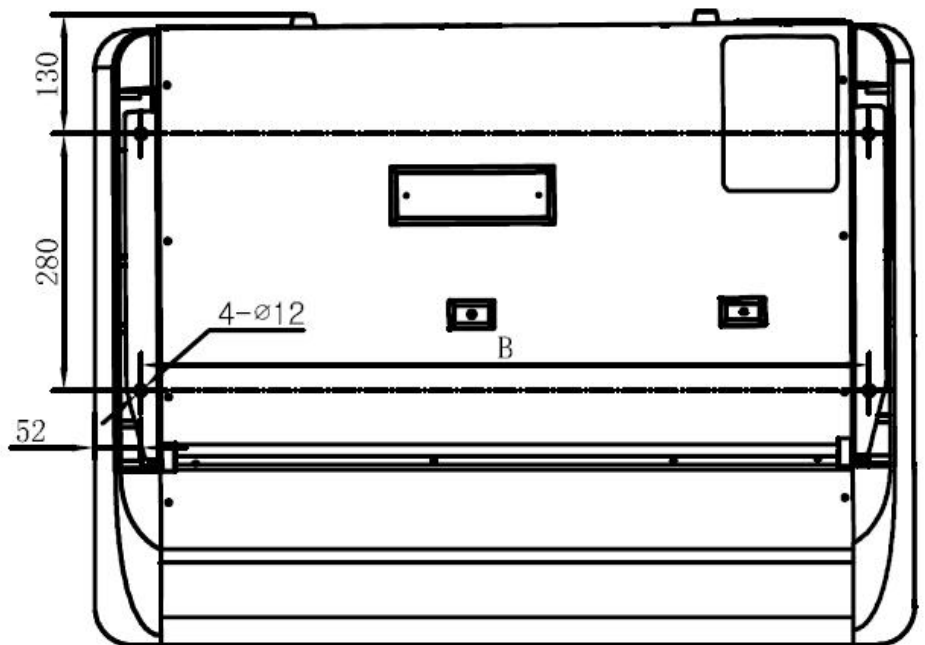
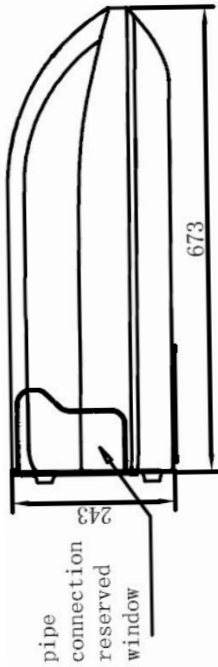
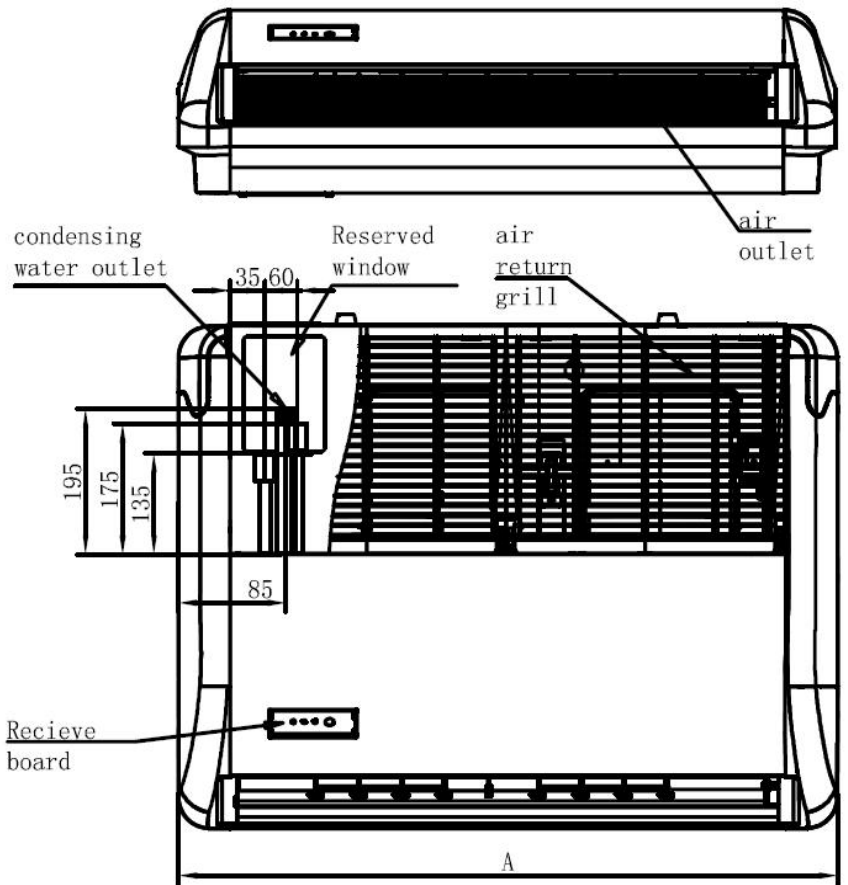
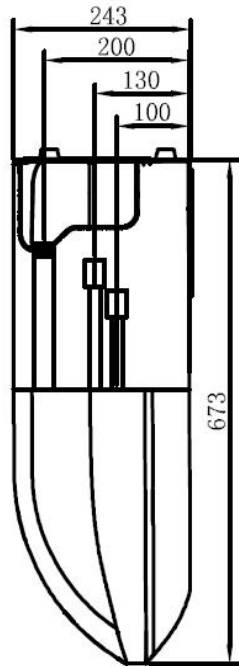
Remarks:

1. Cooling: Inlet air temperature DB 27°C, WB 19.5°C; Chilled water inlet/outlet temp. 7°C/12°C.
2. Heating capacity 1 (hot water coil): Inlet air temperature DB 21°C, heating water inlet/outlet temp. 60°C/50°C.
3. The noise level is measured in: background noise 11.5Db(A) semi-anechoic room as per GB/T19232-2003.
4. Rated air flow is tested in standard air condition with DB 20°C.
5. H,M,L refer to high, medium and low fan speed respectively.
6. Static pressure refers to outlet static pressure.
7. All parameters are tested based on power supply 220V-/50HZ.
8. Specifications are subject to product improvement and change without notice.

Fan Coil Unit

Ceiling Exposed/Floor Mounted Fan Coil Unit

Unit Dimension



Model	EST300CF2	EST400CF2	EST500CF2	EST600CF2	EST800CF2	EST1000CF2	EST1200CF2	EST1400CF2
L(A)	905	905	905	1288	1288	1672	1672	1672
W	243	243	243	243	243	243	243	243
H	673	673	673	673	673	673	673	673
B	801	801	801	1184	1184	1568	1568	1568

Unit:mm

Ceiling Exposed/Floor Mounted Fan Coil Unit

Installation Illustration

