

Fan Coil Unit

(1 Way Cassette Type)



Cassette Fan Coil Unit (1-way)



One Way Cassette Fan Coil Unit

Nomenclature

	<u>ES</u>	<u>T</u>	<u>200</u>	<u>C</u>	<u>2</u>	<u>K1</u>	<u>S</u>	<u>0</u>	<u>A</u>	<u>O</u>
	1	2	3	4	5	6	7	8	9	10
1	ES									
2	T	Terminal series								
3	200	Rated Air Flow:CFM								
4	C	Cassette a								
5	2	Pipe System 2:2 pipe system (one water inlet,one water outlet) 4:4 pipe system (two water inlet,two water outlet)								
6	K1	Air Outlet K4:Four Way K1:One Way K2:Two Way K:Multi Way								
7	S	Drainage Way S: Natural Drainage, No Control Q: Forced Drainage, Electronic Control H: Natural Drainage, Electronic Control V: Forced Drainage, Electronic Control, Built-in Water Valve								
8	0	Built-in Electrical Heating Power 0:None 1::Electrical Heating Power 1.0KW (so on and so forth)								
9	A	Power Supply A:220V-50HZ K:208~230V-60HZ N:115V-60HZ W:265~277V-60HZ								
10	O	Sales Region O: Other Regions								

Product Photos



One Way Cassette Fan Coil Unit

Air Flow

- *1-way air flowing, is easy to be installed in the side of ceiling
- *The unit can auto swing with a wide air flowing range
- *Horizontal wind grill can be changed by manual

Low Noise

The unit features a forward-pitched low-speed centrifugal fan with wide impellers. The fan has a good dynamic balance and a stable performance, and minimizes the operation sound while ensuring enough air flow and the static pressure of outlet air by using efficient sound-dampening and heat-insulation material.



*4 pipe system is optional



Efficient and Energy Saving

To maximize heat transfer and exchange efficiency, the unit features heat exchange coils made of quality copper tubes, efficient hyperbolic aluminum shutter fins, precise mechanic tube expansion

Easy for Installation and Operation

- *With a very thickness body can be installed in a limit ceiling
- *Easy to be installed, no need air duct, save installation cost
- *Humanized remote controller and wire controller (optional)



Ingenious Design

- *With high head lift drained water pump
- *With inside float switch to prevent leaking
- *Unit with inbuilt water valve is optional
- *Fresh air can be inputed from outside
- *Unit with negative ion generator is optional
- *Water tube connection direction can be selected



Cassette Fan Coil Unit (1-way 2 pipe system)

Model EST~			200C2	300C2	400C2	500C2	
Power supply			220V/1PH/50HZ				
Air flow (m3/h)	H		340	510	680	850	
	M		280	380	515	660	
	L		180	260	340	430	
Static pressure			Pa	0	0	0	
Cooling capacity	TH	H	W	1800	2700	3600	4500
			BTU/h	6142	9212	12283	15354
	SH		W	1300	1971	2700	3184
			BTU/h	4436	6725	9212	10864
	TH	M	W	1500	2460	3000	3715
			BTU/h	5118	8394	10236	12676
	SH		W	995	1555	1995	2426
			BTU/h	3395	5306	6807	8278
	TH	L	W	1391	2057	2479	2921
			BTU/h	4746	7018	8458	9966
	SH		W	823	1200	1530	1826
			BTU/h	2808	4094	5220	6230
Heating capacity	H	W	2700	4050	5400	6750	
		BTU/h	9215	13823	18430	23038	
	M	W	1949	2770	3936	4902	
		BTU/h	6652	9454	13434	16731	
	L	W	1297	1774	2800	3505	
		BTU/h	4427	6055	9556	11963	
Noise	High speed	dB(A)	37	39	41	43	
Power input	High speed	W	37	52	62	76	
Water flow	High speed	m3/h	0.31	0.46	0.62	0.77	
Water resistance			kPa	16	18	20	
Pipe	Inlet water pipe		ZG3/4"	ZG3/4"	ZG3/4"	ZG3/4"	
	Outlet water pipe		ZG3/4"	ZG3/4"	ZG3/4"	ZG3/4"	
Coil		type	Hydrophilic aluminum fin arounds high efficient copper pipe				
Working pressure		MPa	1.6	1.6	1.6	1.6	
Condensation water pipe			mm	Φ 26	Φ 26	Φ 26	
Dimension	Unit		L×W×H	958*413*236	958*413*236	958*413*236	
	Panel		mm	1044*468*31			
N.W.	Unit		kg	19.4	19.4	20.5	
	Panel		kg	4			

Remarks:

1. Cooling: Inlet air temperature DB 27°C, WB 19.5°C; Chilled water inlet/outlet temp. 7°C/12°C.
2. Heating: Inlet air temperature DB 21°C, heating water inlet temperature 60°C.
(tested by the same water flow with cooling condition)
3. The noise level is measured in: background noise 11.5Db(A) semi-anechoic room as per GB/T19232-2003.
4. Rated air flow is tested in standard air condition with DB 20°C.
5. H,M,L refer to high, medium and low fan speed respectively.
6. Static pressure refers to outlet static pressure.
7. All parameters are tested based on power supply 220V-/50HZ.
8. Specifications are subject to product improvement and change without notice.

Cassette Fan Coil Unit (1-way 4 pipe system)

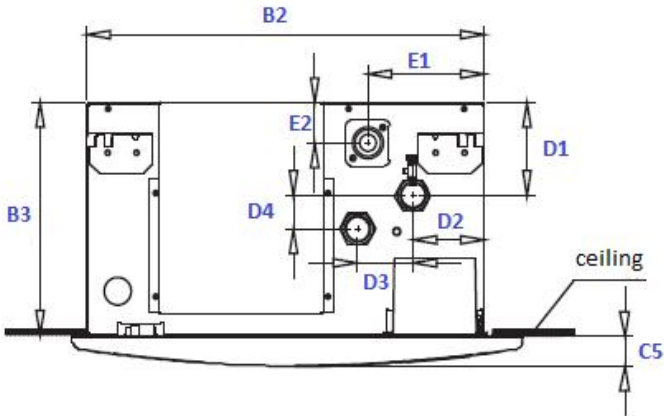
Model EST~			200C4	300C4	400C4	500C4	
Power supply			220V/1PH/50HZ				
Air flow (m3/h)	H		340	510	680	850	
	M		280	380	515	660	
	L		180	260	340	430	
Static pressure			Pa	0	0	0	
Cooling capacity	TH	H	W	1350	2030	2700	3380
			BTU/h	4606	6926	9212	11533
	SH		W	1005	1520	2080	2450
			BTU/h	3429	5186	7097	8359
	TH	M	W	1130	1850	2250	2790
			BTU/h	3856	6312	7677	9519
	SH		W	770	1200	1540	1870
			BTU/h	2627	4094	5254	6380
	TH	L	W	1040	1540	1860	2190
			BTU/h	3548	5254	6346	7472
	SH		W	630	920	1180	1410
			BTU/h	2150	3139	4026	4811
Heating capacity	H		W	1080	1620	2160	2700
			BTU/h	3686	5529	7372	9215
	M		W	780	1108	1575	1961
			BTU/h	2662	3782	5375	6693
	L		W	519	710	1115	1402
			BTU/h	1771	2423	3805	4785
Noise	H		dB(A)	37	39	41	43
Power input	H		W	37	52	62	76
Water flow	Cooling tube	H	m ³ /h	0.23	0.35	0.46	0.58
	Heating tube			0.09	0.14	0.19	0.23
Water resistance	Cooling	H	kPa	20	20	20	20
	Heating			10	10	10	10
Inlet water pipe		Cooling tube/ Heating tube		ZG3/4"	ZG3/4"	ZG3/4"	ZG3/4"
Outlet water pipe				ZG1/2"	ZG1/2"	ZG1/2"	ZG1/2"
Coil		type		Hydrophilic aluminum fin arounds high efficient copper pipe			
Working pressure		MPa		1.6			
Condensation water pipe			mm	∅ 26	∅ 26	∅ 26	∅ 26
Dimension	Unit		L×W×H	958*413*236	958*413*236	958*413*236	958*413*236
	Panel			1044*468*31			
N.W.	Unit		kg	21	21	22	22
	Panel			4			

Remarks:

1. Cooling: Inlet air temperature DB 27°C, WB 19.5°C; Chilled water inlet/outlet temp. 7°C/12°C.
2. Heating capacity 1 (hot water coil): Inlet air temperature DB 21°C, heating water inlet/outlet temp. 60°C/50°C.
3. The noise level is measured in: background noise 11.5Db(A) semi-anechoic room as per GB/T19232-2003.
4. Rated air flow is tested in standard air condition with DB 20°C.
5. H,M,L refer to high, medium and low fan speed respectively.
6. Static pressure refers to outlet static pressure.
7. All parameters are tested based on power supply 220V-/50HZ.
8. Specifications are subject to product improvement and change without notice.

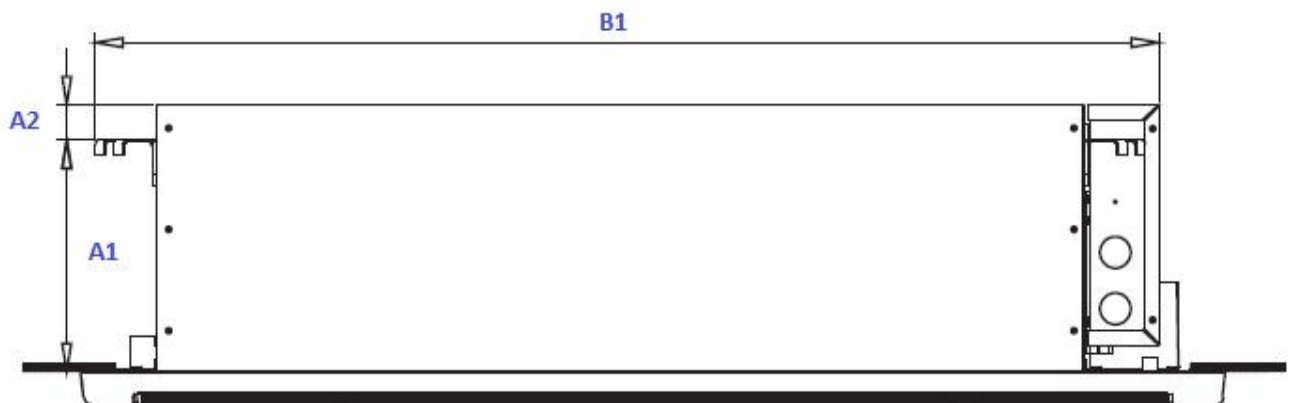
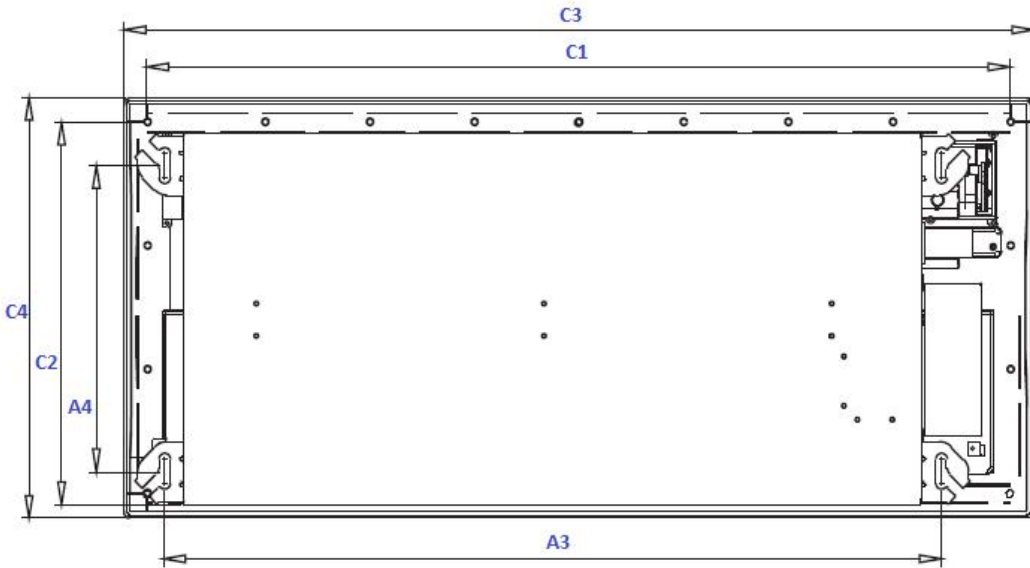
Cassette Fan Coil Unit(1-way)

Left Side Water Pipe Connection



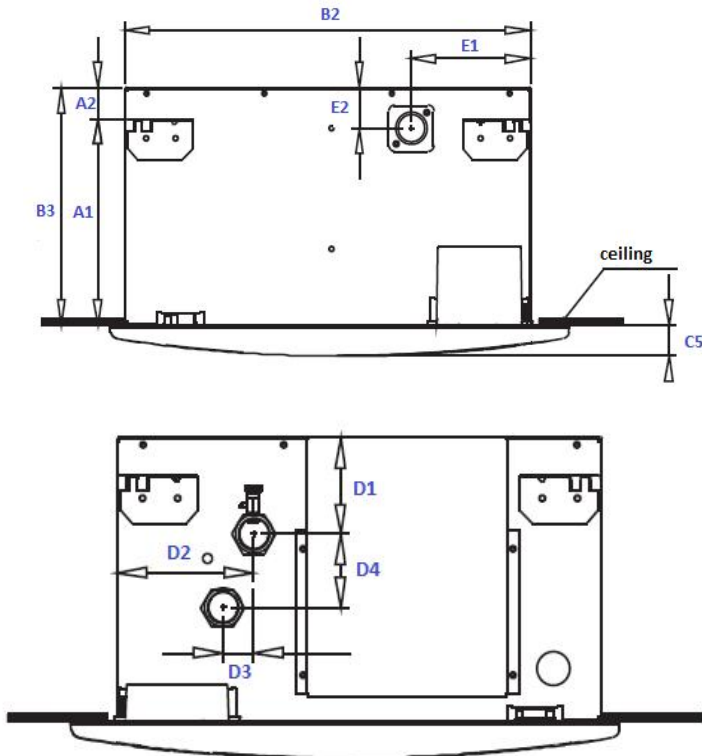
Model	Annotation	EST200C2
		EST300C2
		EST400C2
		EST500C2
Distance between hook and ceiling	A1	205~210
Distance between hook unit top side	A2	31
Distance between hooks 1	A3	899
Distance between hooks 2	A4	326
Unit body length	B1	958
Unit body width	B2	413
Unit body thickness	B3	236
Ceiling openings length	C1	990
Ceiling openings width	C2	426
Panel length	C3	1044
Panel width	C4	468
Panel thickness	C5	31
Water pipe position 1	D1	94
Water pipe position 2	D2	74
Water pipe position 3	D3	57
Water pipe position 4	D4	34
Condensing water pipe position 1	E1	122
Condensing water pipe position 2	E2	41

Unit:mm



Cassette Fan Coil Unit(1-way)

Right Side Water Pipe Connection



Model	Annotation	EST200C2	EST300C2
		EST400C2	EST500C2
Distance between hook and ceiling	A1	205~210	
Distance between hook unit top side	A2	31	
Distance between hooks 1	A3	899	
Distance between hooks 2	A4	326	
Unit body length	B1	958	
Unit body width	B2	413	
Unit body thickness	B3	236	
Ceiling openings length	C1	990	
Ceiling openings width	C2	426	
Panel length	C3	1044	
Panel width	C4	468	
Panel thickness	C5	31	
Water pipe position 1	D1	80	
Water pipe position 2	D2	116	
Water pipe position 3	D3	26	
Water pipe position 4	D4	61	
Condensing water pipe position 1	E1	122	
Condensing water pipe position 2	E2	41	

Unit:mm

