

---

**Fan Coil Unit**  
(Vertical Exposed Ultra thin type)



## Vertical Exposed Fan Coil Unit(Ultra thin type)

### Casing

Advanced quality galvanized sheet, waterproof, dustproof, and corrosion proof, also have a good performance in dark wet condition.



### Motor

High quality and reliability plastic-covering motor, through dynamic balance test, quiet design and stable performance.



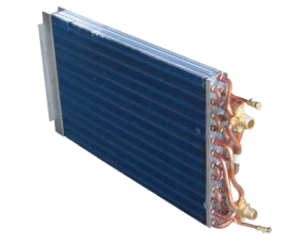
### Fan

Unit features a high quality metal cross-flow fan with tube type impeller;The fan has a good dynamic balance and a stable performance, and minimizes the operation sound while ensuring enough air flow and the static pressure of outlet air by using efficient sound-dampening and heat-insulation material.



### Heat Exchanger

Features seamless copper tube mechanically expanded to aluminum shutter fins, high heat transfer efficiency, good toughness and can bear high water pressure. Fin pitch designed by software, enough heat exchanging area, less dirt retention and air flow smoothly.



### Condensate Water Pan

Features PVC drain pan with,hollow structure design can enhance the thermal insulation properties,at the same time to prevent from leaking.



### Water Connector

Professional design, water flow uniform distribution, small water resistance. Particular pipe clamp to ensure steady pipe connecting.



## Vertical Exposed Fan Coil Unit(Ultra thin type)

### Unit Characteristics

\*Ultra thin design,the thickness of fan coil unit is only 130mm.(see as below,less than IPHONE 5 length)



\*Air return direction is selectable,side air return and bottom air return is optional,adjust to fit different environment

\*Air flow can be controlled in a breeze status,very quit;it is the best alernative to the radiator.

(a)Radiators only offer heating,but our ultra thin fan coil unit can offer heating and cooling;

(b)Radiators's heating speed is slow and radiation is narrow,inefficient air convection;Fan coil unit have higher heat exchange speed,therefore fan coil unit can create more uniform temperature field space.

\*Standard design with inbuilt digital room thermostat.Without room thermostat is optional,user need prepare thermostat.



\*Unit standard design is manual adjusting to air flow;auto swing is optional must with DC motor.

\*Left or right water connection direction can be selected.

\*Left and right side panels can be removed independently.It is easy for installation and maintenance

\*Easy-removable and washable filter was in-built.

## Vertical Exposed Fan Coil Unit(Ultra thin type)

### Nomenclature

<u>ES</u>	<u>T</u>	<u>200</u>	<u>VE2</u>	<u>T</u>	<u>R</u>	<u>0</u>	<u>A</u>	<u>O</u>
1	2	3	4	5	6	7	8	9

- |   |     |  |
|---|-----|--|
| 1 | ES  |  |
| 2 | T   | Terminal series  |
| 3 | 200 | Rated Air Flow:CMH   |
| 4 | VE2 | Vertical Exposed and the number of pipe system   |
| 5 | T   | Coil Type<br>T:2COH<br>(Note: C-Cold Water Coil;H-Hot Water Coil)                          |
| 6 | R   | Connecting Pipe Direction<br>R: Right (Face to air outlet)<br>L: Left (Face to air outlet) |
| 7 | 0   | Built-in Electrical Heating Power<br>0: None   |
| 8 | A   | Power Supply<br>A:220V-50HZ      K:208~230V-60HZ<br>N:115V-60HZ      W:265~277V-60HZ       |
| 9 | O   | Sales Region    C: Mainland China    O: Other Regions                                      |

### Product Photos



## Vertical Exposed Fan Coil Unit(Ultra thin type)

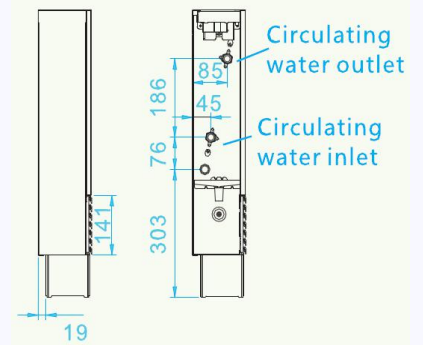
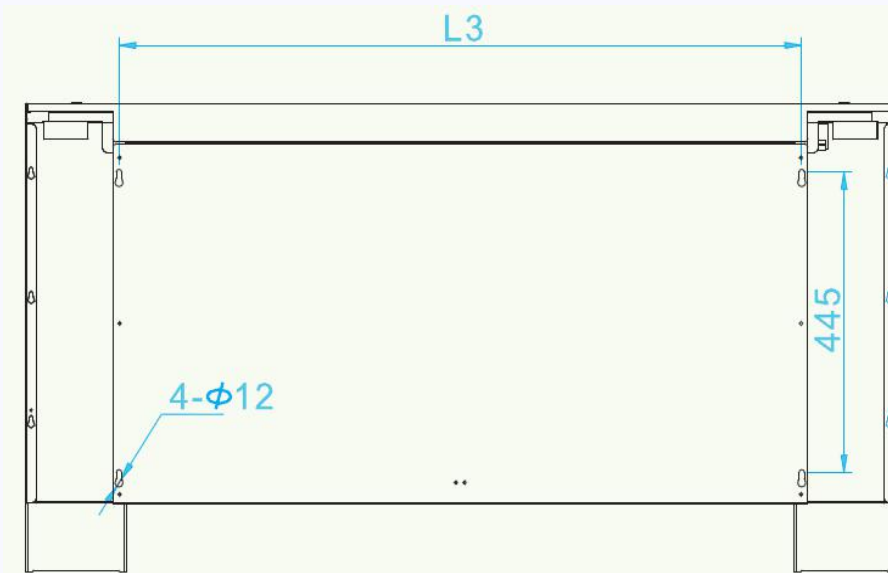
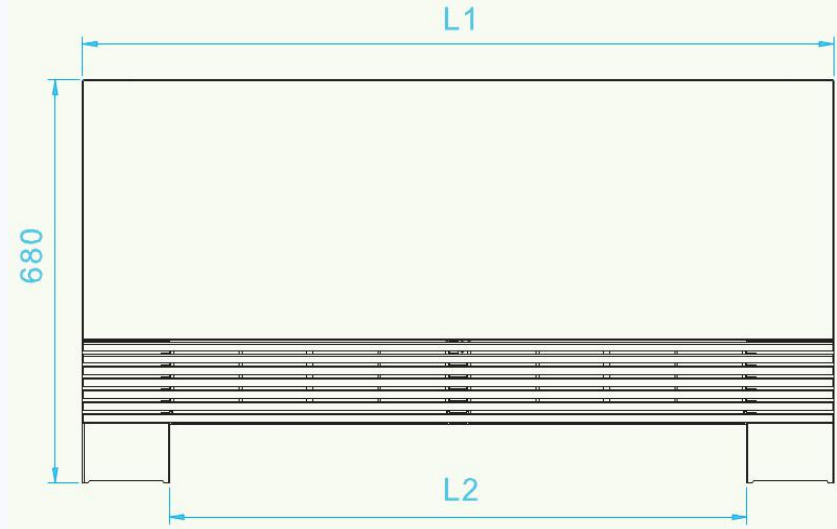
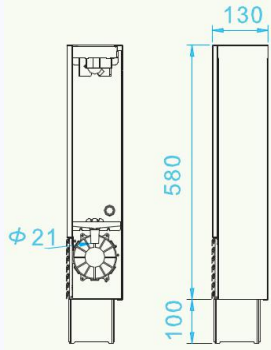
Model	EST	200VE2	300VE2	400VE2	500VE2	600VE2
Air flow (m <sup>3</sup> /h)	H	200	300	400	500	600
	M	150	220	300	380	450
	L	115	165	235	295	345
Rated cooling capacity	W(H)	1010	1830	2450	3050	3650
	BTU(H)	3447	6246	8362	10410	12457
	W(M)	800	1300	1750	2160	2650
	BTU(M)	2730	4437	5973	7372	9044
	W(L)	650	1240	1600	2000	2400
	BTU(L)	2218	4232	5461	6826	8191
Rated heating capacity	W(H)	1600	2900	3850	4800	5750
	BTU(H)	5461	9898	13140	16382	19625
	W(M)	1280	2320	3080	3840	4600
	BTU(M)	4369	7918	10512	13106	15700
	W(L)	830	1510	2000	2500	2990
	BTU(L)	2833	5154	6826	8533	10205
Motor power input	W	15	18	20	26	32
Noise	dB(A)	38	39	40	41	42
Water flow	m <sup>3</sup> /h	0.17	0.26	0.34	0.43	0.51
Water resistance	kPa	4	6	8	10	12
Heat exchanger	Type	copper tubes with shutter-type aluminum fins				
	Max. Working pressure	1.6MPa				
	Testing pressure	Airtightness test under pressurized water: 3.3MPa				
Pipe	Inlet/outlet water pipe	ZG 1/2 "				
	Condensation water pipe	ZG 1/2 "				
Dimensions(L*W*H) mm		700*130*681	900*130*681	1100*130*681	1300*130*681	1500*130*681
Net Weight(Kg)		14.50	18.50	21.50	24.00	27.00

**Remarks:**

1. Cooling: Inlet air temperature DB 27°C, WB 19.5°C; Chilled water inlet/outlet temp. 7°C/12°C.
2. Heating: Inlet air temperature DB 21°C, heating water inlet temperature 60°C  
(tested by the same water flow with cooling condition).
3. The noise level is measured in: background noise 11.5Db(A) semi-anechoic room as per GB/T19232-2003.
4. Rated air flow is tested in standard air condition with DB 20°C.
- 5.H,M,L refer to high, medium and low fan speed respectively.
6. All parameters are tested based on power supply 220V-/50HZ.
- 7.Specifications are subject to product improvement and change without notice.

## Vertical Exposed Fan Coil Unit(Ultra thin type)

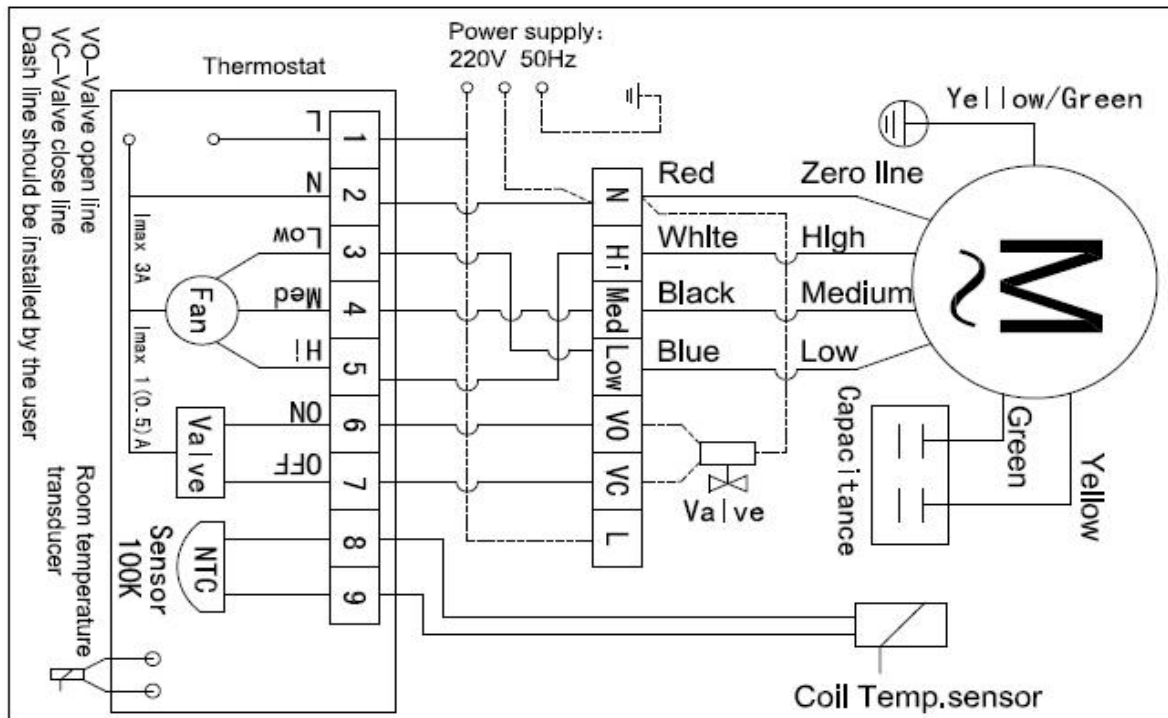
### Installation Dimensions



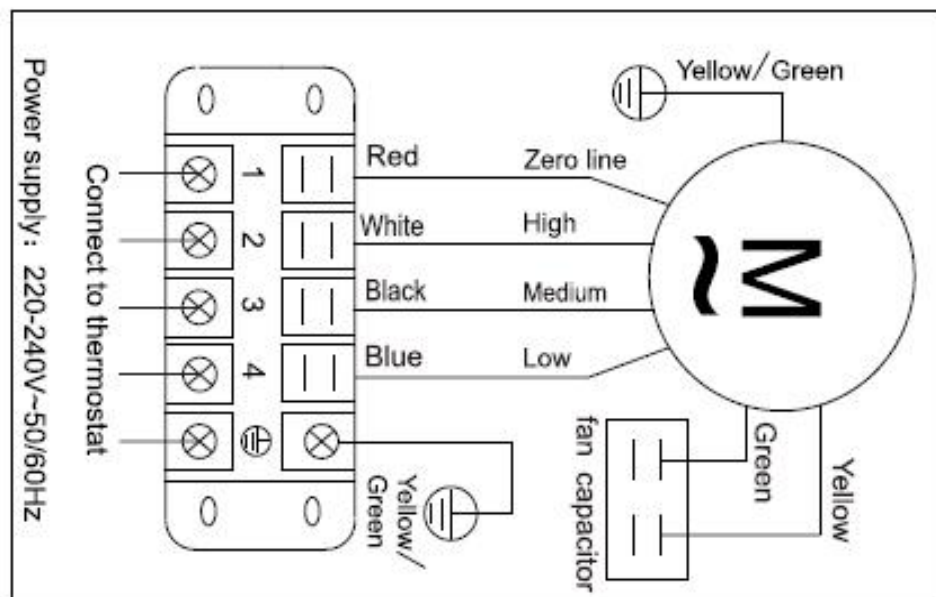
Model	EST-VE2	200	300	400	500	600
Dimension	L1	700	900	1100	1300	1500
	L2	400	600	800	1000	1200
	L3	422	622	822	1022	1222

## Vertical Exposed Fan Coil Unit(Ultra thin type)

### Wiring Diagram



Remark:with standard inbuilt room thermostat



Remark:without inbuilt room thermostat